

TRUBLUE MOUNTING ORIENTATION

Facilities with certain types of climbing elements may utilize alternate mounting configurations from those outlined in the TRUBLUE Auto Belay Operator Manual, to maximize webbing lifespan.

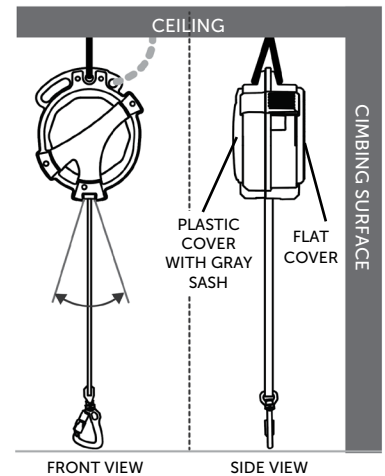
CURRENT MOUNTING SPECIFICATIONS

Most climbing surfaces or climbing elements where auto belays are used, require lateral (side-to-side) climbing motions. Head Rush Technologies specifies that TRUBLUE Auto Belay devices be mounted with the plastic side covers parallel to the climbing surface or climbing element on which they are to be used. There are two reasons for this specification:

- 1) The side covers are field replaceable parts that are designed to contact the climbing surface or other objects (holds, anchors etc.) with minimal effect.
- 2) Lateral movement of the climber and/or device will force the webbing face, rather than the edge, to contact the nozzle insert.

In general, the wider face of the webbing is more resistant to wear than its edge. While TRUBLUE Auto Belay nozzles are designed to minimize wear on the webbing, that interface is still a common source of webbing wear.

CURRENT MOUNTING SPECIFICATION



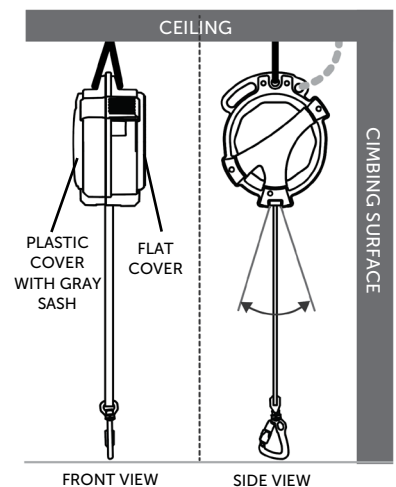
POSSIBLE ADAPTATIONS TO PERPENDICULAR MOUNTING

Head Rush Technologies recognizes that TRUBLUE devices may be used in connection with less common climbing surfaces or elements, where a climber would experience more movement toward and away from the climbing surface and less lateral (side-to-side) movement. In these less common circumstances, the exposure to webbing edge wear may be reduced by changing the mounting orientation so the side panels of the devices are perpendicular to the climbing surface or climbing element.

Therefore, facilities are permitted to mount devices in a perpendicular orientation to the climbing surface under the following conditions:

- All other mounting requirements are adhered to as described in the operator manual including:
 - Device mounting anchors possess the load capacity specified in the operator manual.
 - Primary mounting point of device is loaded; secondary mounting point is used with an un-loaded backup on the offset secondary mounting points.
 - Connectors used for mounting meet the certification requirements specified in the operator manual.
 - Device is mounted vertically from the primary mounting point with the nozzle pointing straight down.
 - Device is mounted within the maximum and minimum mounting heights listed in the operator manuals.
 - Device is free hanging and not contacting any adjacent structures.
 - Device's exposure to impacts and shocks is minimized.
- A competent person deems webbing wear, edge wear in particular, to be a greater concern if the device is mounted in the manner prescribed in the manual (side covers parallel to the surface).
- No additional hazards will be present in the climbing element due to the mounting orientation of the TRUBLUE auto belay device.

POSSIBLE ADAPTED MOUNTING



Regardless of the device orientation, it is crucial that owner/operators inspect the device webbing and complete all other prescribed inspections regularly, thoroughly, and according to the operator manual.